

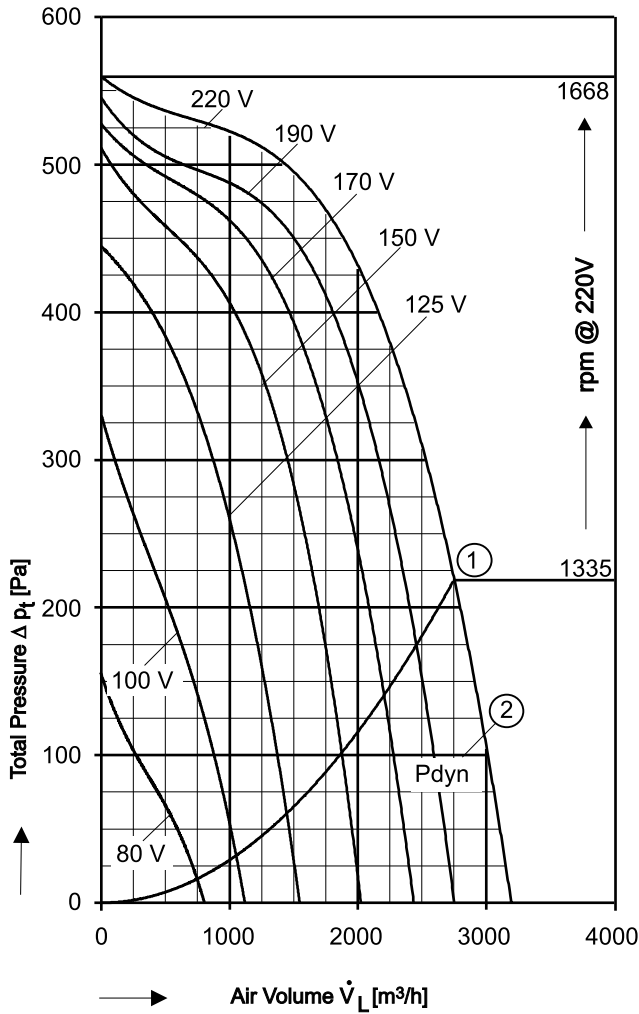
Type: CE = Single Inlet

Performance / Dimensions



Type: CE 690/E 35 [220V 1N~ 60 Hz]
 MP Capacitor 25 µF - 400 VDB
 Protection type: IP 65

Please state intake side !
 For installation see examples, page 5/2.
 For accessories see page 5/38.
 For sound data please see pages 6/43 - 6/47.

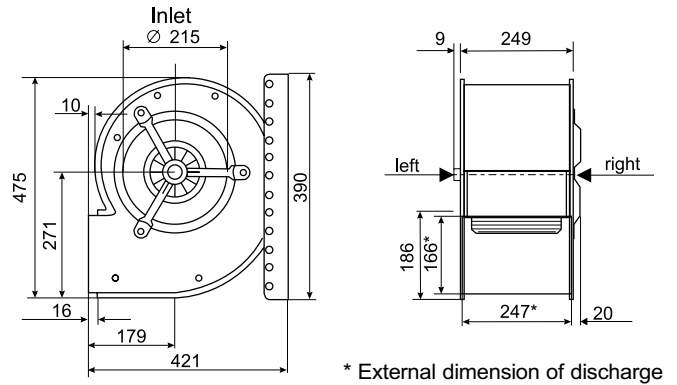


- ① Free air relating to fan discharge area 0,04 m². Max. permissible ambient temperature 60°C.
- ② Velocity (dynamic) pressure
For Static Pressure Regain see example

Voltage [V]	Air Volume \dot{V}_L [m³/h] at $\rho = 1,2 \text{ kg/m}^3$ and current [A] (bold figures)							
	Free Air	Total Pressure Δp_t [Pa]						
		100	150	200	250	300	350	400
80	750 2,04	270 1,97						
100	1055 2,57	875 2,50	715 2,44	520 2,37				
125	1440 3,20	1375 3,15	1275 3,08	1160 2,99	1030 2,90	870 2,80		
150	1870 3,74		1790 3,66	1690 3,57	1580 3,47	1445 3,36	1270 3,22	1020 3,04
170	2205 4,13			2085 4,01	1970 3,89	1835 3,76	1670 3,61	1450 3,43
190	2455 4,38			2405 4,33	2295 4,22	2165 4,09	2010 3,94	1810 3,76
220	2755 4,71				2670 4,62	2530 4,46	2360 4,28	2155 4,08

Save power and even more silent FISCHBACH SPEED CONTROLLERS Manual and Automatic		
Voltage Control	Type*	Order-No.*
Stepless 0 - 100% and 100% - 0	FDR 55	6163
Stepwise 7 Steps	FDR 750	6202
FISCHBACH AUTOMATIC CONTROL **	FRA 55	6252

* For further details see resp. catalogue pages
 ** For details of sensors etc., on request



The Silent One